

50-55"
 FROM THE **BOTTOM OF THE MOUNT**
 TO
 THE **GROUND LEVEL OF THE USER**

STEP 1: USING THE THROUGH HOLES ON THE MOUNTING BRACKET, SCREW THE MOUNT INTO THE WALL USING FASTENERS RATED FOR YOUR WALL TYPE (WOOD, CONCRETE, ETC.)

<SEE PAGE 2 FOR MORE DETAILS ON MOUNTING>

STEP 2:
 WHEN THE BRACKET IS SECURED TO THE WALL, SLIP THE BACK HANGER OVER THE BENT FLANGE ON THE MOUNTING BRACKET

STEP 3:
 OPEN THE DOOR OF THE KIOSK AND FASTEN THE KIOSK TO THE THREADED INSERTS ON THE MOUNTING PLATE USING 1/4-20 BOLTS.

THIS HELPS PREVENT UNWANTED REMOVAL OF THE UNIT



NOTICE TO ALL PARTIES RECEIVING THIS DRAWING AND/OR TECHNICAL INFORMATION
 GoToKiosk claims proprietary right to the information disclosed herein. This document is issued in confidence and is not to be reproduced or used to manufacture anything shown herein without the written permission of GoToKiosk.

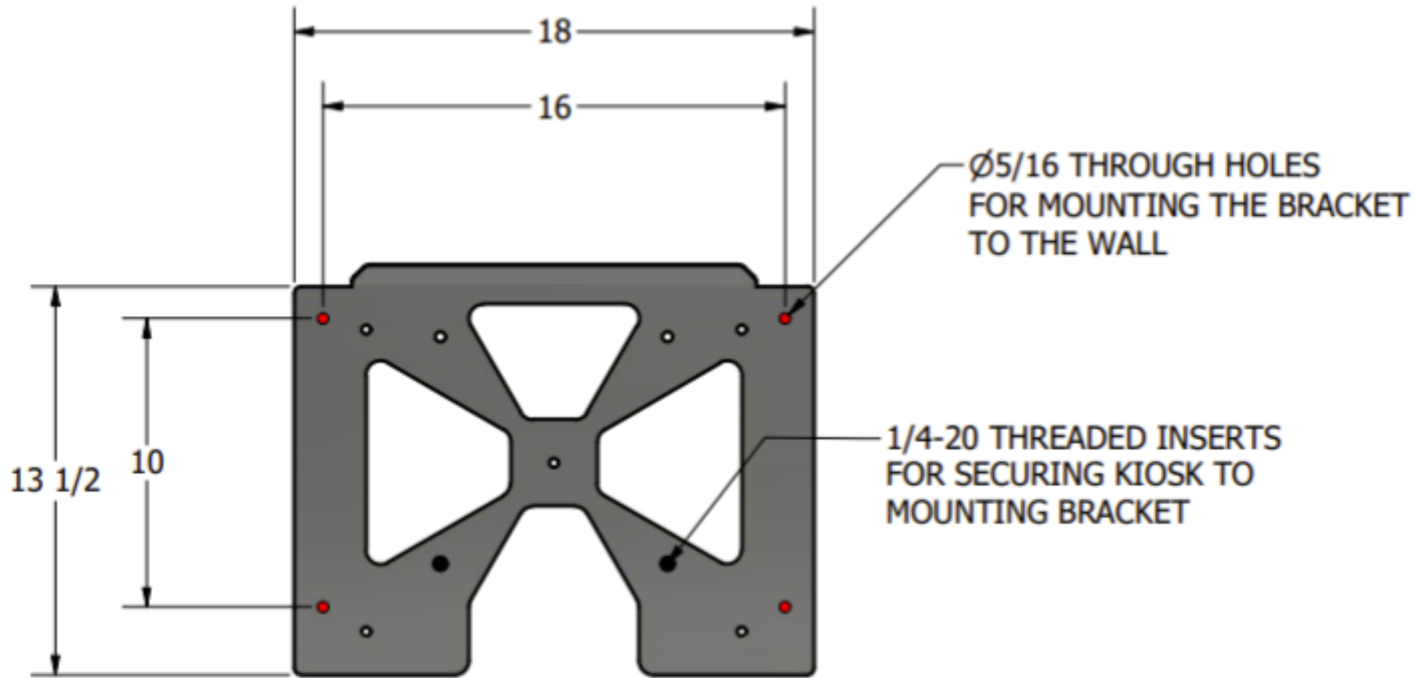
FOR WALLS WITH 16" ON CENTER STUDS

MINIMALLY USE THE 4 HOLES INDICATED WITH RED

RECOMMENDED FASTENER:
5/16" X 2" STEEL LAG SCREW

PLACEMENT:

DEPENDING ON THE AVERAGE HEIGHT OF THE END USER,
PUT THE BOTTOM OF THE BRACKET **50-55"**
FROM THE USER'S GROUND LEVEL



SafeVisitor
SOLUTIONS®
a Safe Hiring Solutions Company

2

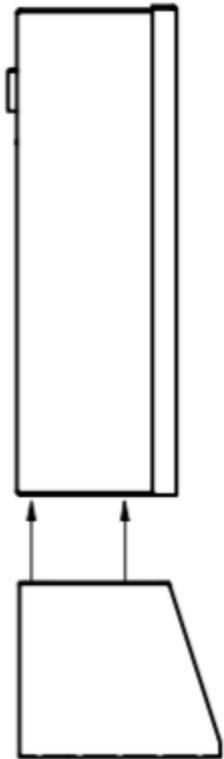


1

PRINTER SHELF
INSTALLATION:

1. UNSCREW THE BOLTS PROVIDED IN THE CENTER 4 HOLES ON THE BOTTOM OF THE KIOSK.
2. USE THOSE SAME BOLTS TO INSTALL THE BRACKET WITH THE SLANTED PART POINT TOWARDS THE FRONT OF THE UNIT (SEE PICTURE)

B



B



A

A

2



1



SafeVisitor
SOLUTIONS[®]
 a Safe Hiring Solutions Company